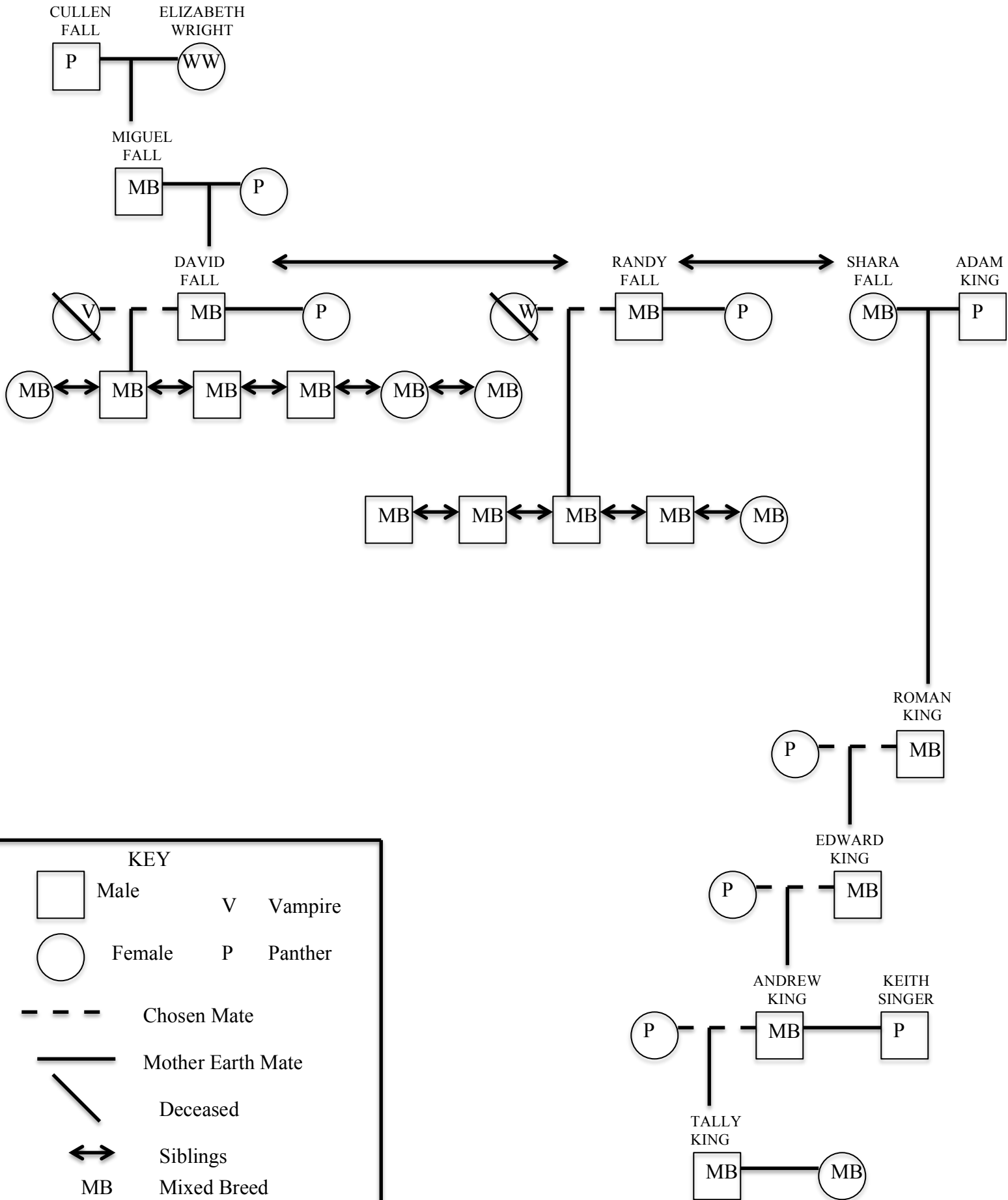


ANDREW AND TALLY'S FAMILY TREE



KEY

<p>□ Male</p> <p>○ Female</p> <p>--- Chosen Mate</p> <p>— Mother Earth Mate</p> <p>— Deceased</p> <p>↔ Siblings</p> <p>MB Mixed Breed</p> <p>W Witch</p> <p>WW Were-Wolf</p>	<p>V Vampire</p> <p>P Panther</p>
--	-----------------------------------